

Hinge Adjustments

Side Adjustment $\pm 1.5\text{mm}$ ($\pm 1/16''$)

Rotate Screw Clockwise or
Counterclockwise

Height Adjustment $\pm 3.0\text{mm}$ ($\pm 1/8''$)

Loosen Screw, Align Door,
Tighten Screw

Depth Adjustment ($- 0.7\text{mm}$, $+ 1.8\text{mm}$)

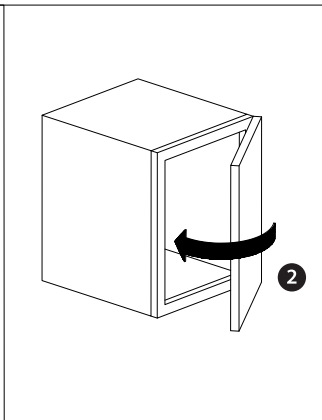
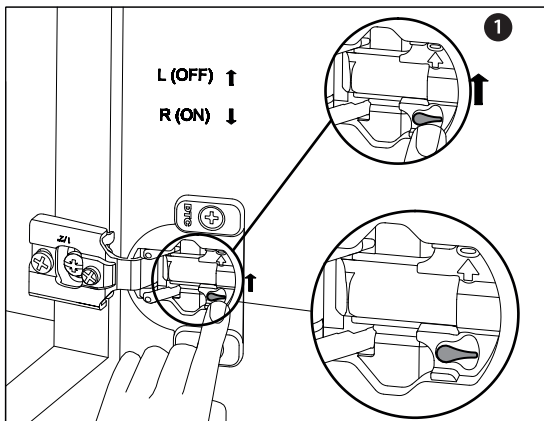
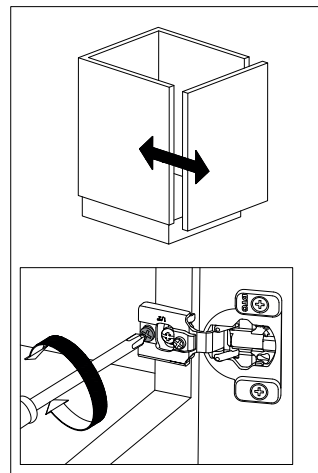
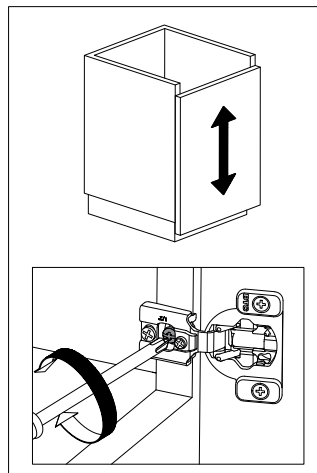
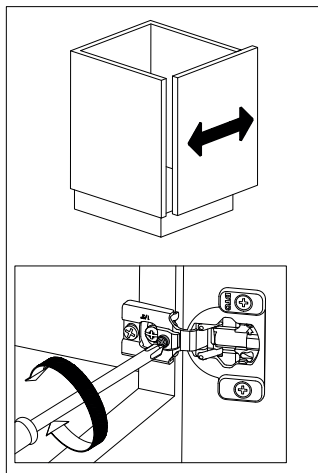
($- 1/32''$, $+ 1/16''$)

Adjustable Through Cam
Adjustment

Door Soft Close Deactivation

L= On and O= Off

Door must be closed once for the
deactivation to be complete



**IMPORTANT NOTICE FOR INSTALLING
HARDWARE ON 90 DEGREE
CORNER CABINET BI-FOLD DOORS
(BLS, SLS, RRC, BER, ER, CS)**

