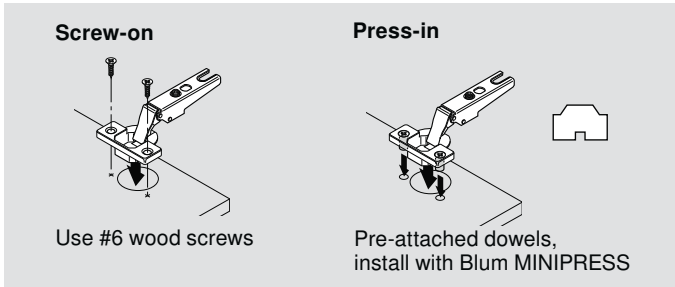




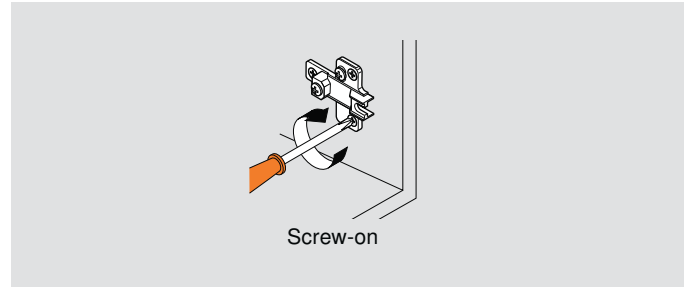
MODUL hinges



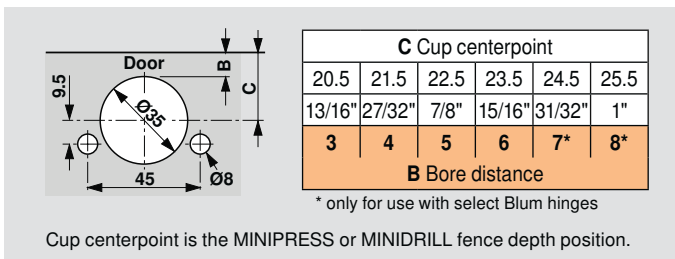
Hinge-to-door attachment



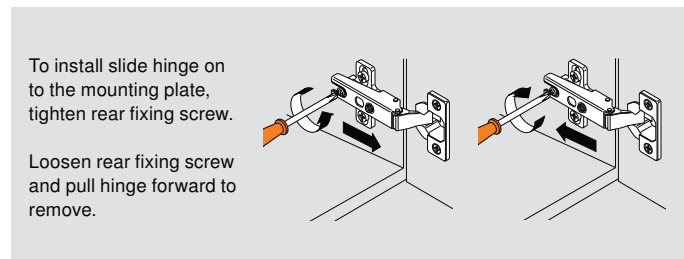
Mounting plate-to-cabinet



Blum boring pattern



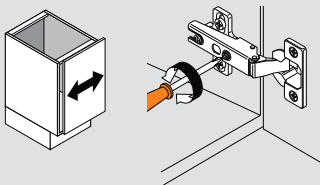
Door-to-cabinet attachment



Three-dimensional adjustment

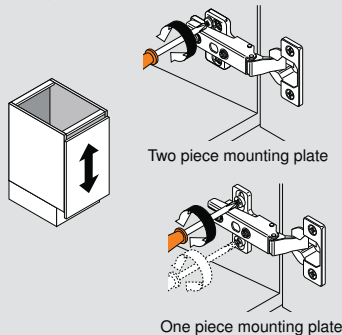
Side adjustment

Rotate front screw to increase or decrease door overlay.
Range = ± 2 mm



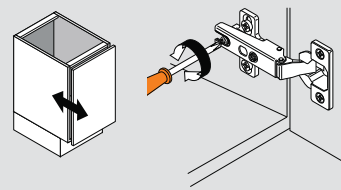
Height adjustment

Loosen screw(s) on the mounting plate. Adjust door to position and tighten screws.
Range = ± 3 mm

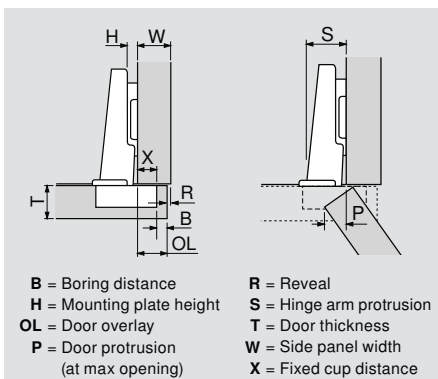


Depth adjustment

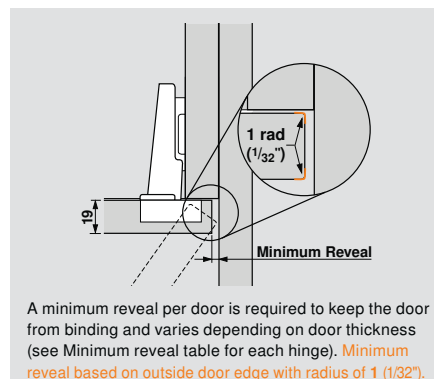
Loosen back screw. Adjust door to position and tighten screw.
Range = ± 2 mm



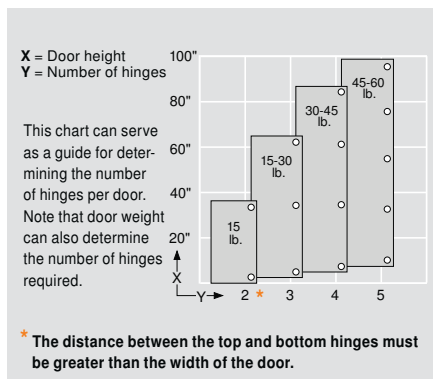
Hinge dimension abbreviations



Minimum reveal



Hinges per door





Features

- 100° opening angle
- All metal hinge, nickel-plated
- Three-dimensional adjustment
- Slide-on hinge arm

Cover caps
Mounting plates

page 59

pages 57-58

Minimum Reveal

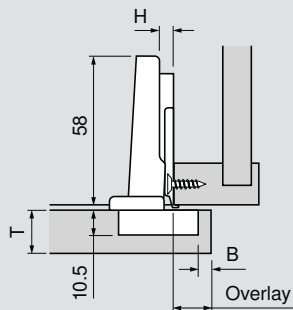
Minimum reveal table								
0.5	0.9	1.1	1.4	2.3	3.6	5.2	3	
0.5	0.8	1.0	1.3	2.0	3.3	4.8	4	
0.4	0.8	1.0	1.2	1.8	3.0	4.4	5	
0.4	0.8	0.9	1.1	1.7	2.8	4.1	6	
16	18	19	20	22	24	26	B	
							T Door thickness	Bore

Cross-reference the door thickness and bore distance to assure that doors won't bind when opened.

See back cover fold out for more specifications →

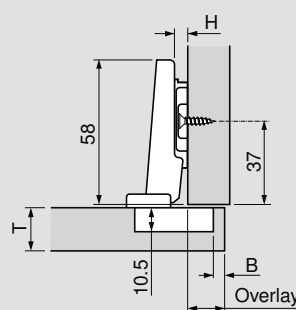
Frame cabinet applications

Overlay door



Panel cabinet applications

Overlay door



Straight-arm hinges

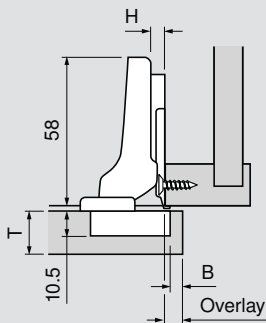
	Self close	Free swing
Screw-on	91M2550	90M2550
Press-in	91M2580	90M2580

Overlay table						
0	14	15	16	17	9	20
3	11	12	13	14	12	23
6	8	9	10	11	15	26
9	5	6	7	8	18	29
H	3	4	5	6	P	S
Plate	B Bore distance				Clearances	

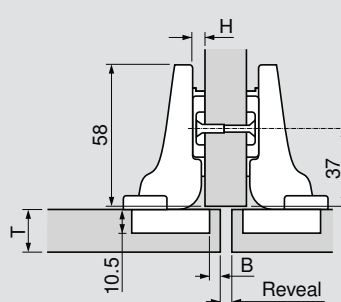
11 fixed distance

NOTE: 9 plate only available for panel cabinets

Partial overlay door



Twin overlay doors



Half-cranked hinges (9.5 mm)

	Self close
Screw-on	91M2650
Press-in	91M2680

Overlay table						Partial overlay	
0	4.5	5.5	6.5	7.5	18.5	30	
H	3	4	5	6	P	S	
Plate	B Bore distance				Clearances		

1.5 fixed distance

Reveal table					Twin overlay		
0	7	5	3	1	16	18.5	30
	10	8	6	4	19		
	13	11	9	7	22		
H	3	4	5	6	W	P	S
Plate	B Bore distance				Panel	Clearances	

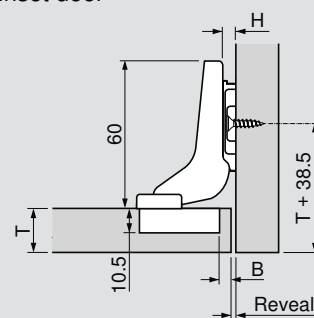
Full-cranked hinges (18 mm)

	Self close
Screw-on	91M2750
Press-in	91M2780

Reveal table						
0	4	3	2	1	27	38
H	3	4	5	6	P	S
Plate	B Bore distance				Clearances	

- 7 fixed distance

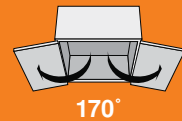
Inset door



For more information on using this section see page 5.

All dimensions in millimeters (inch equivalents as shown).

Subject to technical modifications without notice. © 2010



170°



Features

- 170° opening angle
- All metal hinge, nickel-plated
- Three-dimensional adjustment
- Slide-on hinge arm

Cover caps
Mounting plates

page 59
pages 57-58

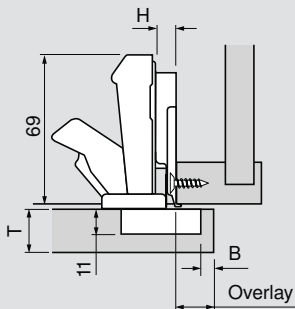
Minimum Reveal

Minimum reveal table							
0	0	0	0	0.2	2.2	4.2	3
0	0	0	0	0	1.4	3.8	4
0	0	0	0	0	.9	2.7	5
0	0	0	0	0	0	2.2	6
0	0	0	0	0	0	1.7	7
0	0	0	0	0	0	1.3	8
16	18	19	20	22	24	26	B
T Door thickness							Bore

Cross-reference the door thickness and bore distance to assure that doors won't bind when opened.

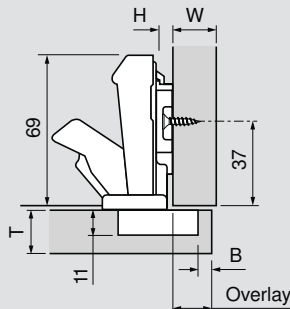
Frame cabinet applications

Overlay door




Panel cabinet applications

Overlay door



See back cover fold out for more specifications →

Straight-arm hinges

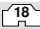
	Self close
Screw-on	91A6550
Press-in 	91A6580

Overlay table									
0	14	15	16	17	18	19	1.5	65	
3	11	12	13	14	15	16	4.5	68	
6	8	9	10	11	12	13	7.5	71	
9	5	6	7	8	9	10	10.5	74	
H Plate	3	4	5	6	7	8	P	S	
	B Bore distance						Clearances		

11 fixed distance

NOTE: 9 plate only available for panel cabinets

Half-cranked hinges (9.5 mm)

	Self close
Screw-on	91A6650
Press-in 	91A6680

Overlay table								Partial overlay	
0	4.5	5.5	6.5	7.5	8.5	9.5	11	75	
H Plate	3	4	5	6	7	8	P	S	
	B Bore distance						Clearances		

1.5 fixed distance

Reveal table							Twin overlay		
0	7	5	3	1	-	-	16	11	75
	10	8	6	4	2	0			
	13	11	9	7	5	3			
H Plate	3	4	5	6	7	8	W Panel	P	S
	B Bore distance						Clearances		

Half-cranked hinges (9.5 mm)

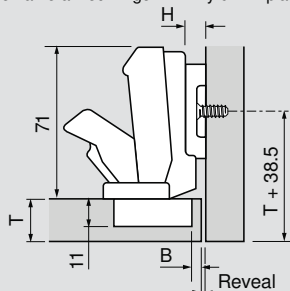
	Self close
Screw-on	91A6650
Press-in 	91A6680

Reveal table								
9	4.5	3.5	2.5	1.5	0.5	-	20	84
H Plate	3	4	5	6	7	8	P	S
	B Bore distance						Clearances	

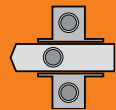
-7.5 fixed distance

Inset door


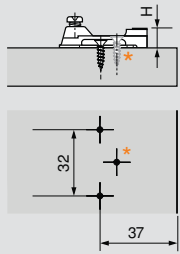
Use half-cranked hinge Any 9 mm plate



MODUL



One piece wing mounting plate


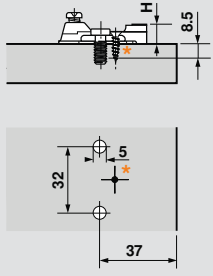



- Steel, nickel-plated
- Attached with wood screws #6 x 5/8"
- Height adjustment ± 3 mm
- *Add additional wood screw if used with wide angle hinges

Wood screws
606N or 606P

(H) Height 0
193L6100

One piece wing mounting plate


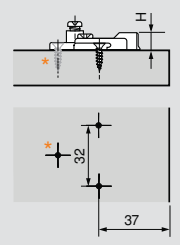



- Steel, nickel-plated
- Attached with pre-mounted system screws $\text{\O}5$ mm (668.1450.EH)
- Height adjustment ± 3 mm
- *Add additional wood screw if used with wide angled hinges

System screws
Pre-mounted

(H) Height 0
193L8100

Two piece mounting plate

- Zinc die-cast, nickel-plated
- Attached with wood screws #6 x 5/8"
- Height adjustment ± 2 mm
- *Add additional wood screw if used with wide angled hinges

Wood screws
606N or 606P

(H) Height 0
195H7100

(H) Height 9
195H7190

MODUL



Two piece wing mounting plate

- Zinc die-cast, nickel-plated
- Attached with #7 x 9/16" wood screw or Ø6 x 14.5 mm system screws
- Height adjustment ±2 mm
- *Add additional wood screw if used with wide angle hinges

Wood screw	or System screws	(H) Height 0
707N	661.1450.HG	195H9100

Face frame adapter plate

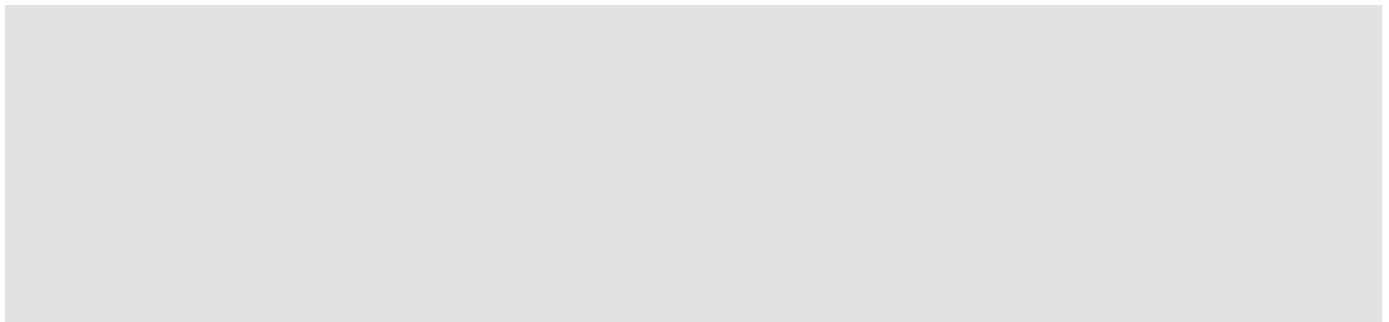
- Zinc die-cast, nickel-plated
- Attached with wood screws #7 x 3/4"
- Height adjustment ±2 mm
- Use of the PlateMate recommended for proper installation (see page 78)

Wood screws	(H) Height 0	(H) Height 6
7074N	198.6600.22	198.6660.22

Recessed frame adapter plate

- Zinc die-cast, nickel-plated
- Attached with wood screws #6 x 5/8"
- Height and side adjustment ±2 mm
- For overlays of 24 mm (15/16") to 27 mm (1-1/16")

Wood screw	(H) Height 0
606N or 606P	199.0100.02





Nylon (black or white)



MODUL cover caps

MODUL 100° hinges

MODUL 170° hinges

MODUL Blind corner hinges

	Nylon
Straight-arm	90M2103
Cranked-arm	94M3203
	80.6107
Straight-arm	90M2103

NOTE: Custom logo available in nylon (black or white). Consult your Blum representative for minimum quantities and lead times on custom logos.